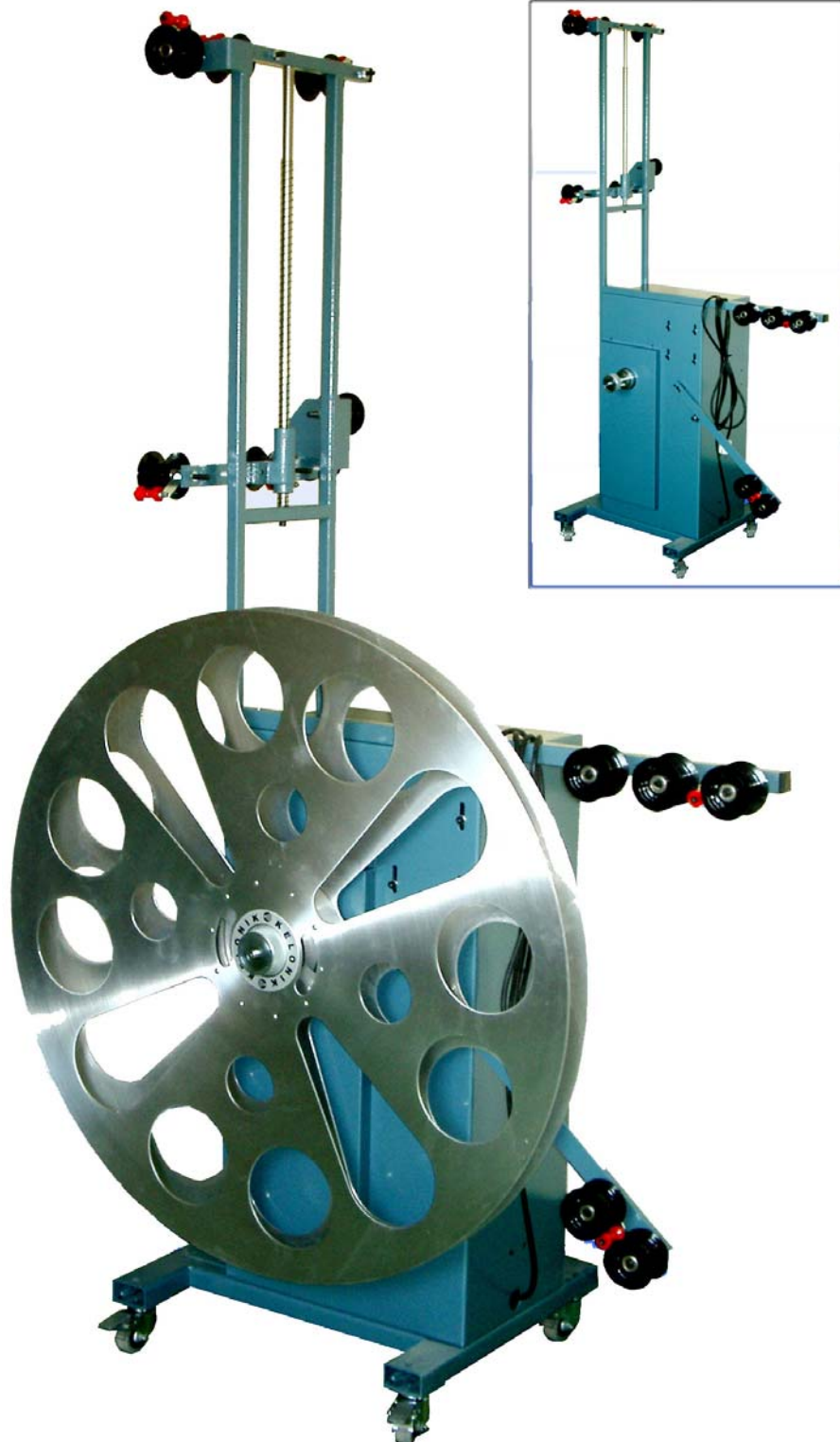


FULL-LENGTH FILM DEVICES NEWTON



FULL-LENGTH FILM DEVICES FOR 35mm NEWTON

MODELS

NEWTON-II

Transportable system with wheels. Features two spindles for up to 5.000-metre capacity spools located at floor level. The film feeding spindle includes an adjustable friction clutch system. The take-up spindle is electrically controlled by the special "TORQUE C.C.", drive system, so that projection runs completely free of tension and gradual start of the projector becomes unnecessary. This system has no rewinding device, and is suitable for double program theatres or multiplex cinemas where films should be exchanged between theatres.

NEWTON-III

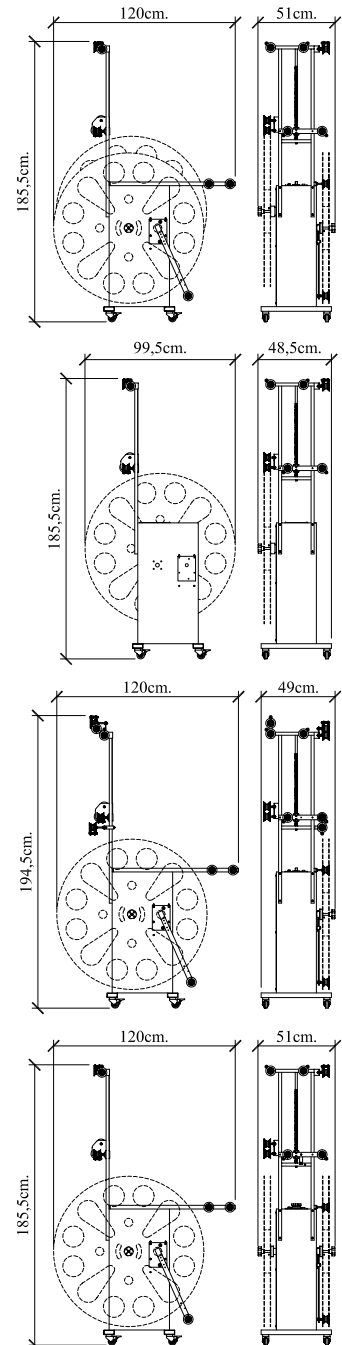
Transportable system with wheels. Features one spindle for up to 5.000-metre capacity spools located at floor level. This film feeding spindle includes an adjustable friction clutch system.

NEWTON-IV

Transportable system with wheels. Features one spindle for up to 5.000-metre capacity spools located at floor level. This spindle can be used either for feeding the film to the projector or taking up the film from the projector, and is electrically controlled by a "TORQUE C.C." drive system.

NEWTON-V

Transportable system with wheels. Features two spindles for up to 5.000-metre capacity spools located at floor level. The film feeding spindle includes an adjustable friction clutch system. The take-up spindle is electrically controlled by the special "TORQUE C.C." drive system, so that projection runs completely free of tension and gradual start of the projector becomes unnecessary. This system has an adjustable speed rewinding device and is suitable for double program theatres or multiplex cinemas where films should be exchanged between theatres.



SUMINISTROS  KELONIK, S.A

Badajoz, 159 bis - 08018 Barcelona
Telf. 34 - 93 300 4361 - Fax 93 300 0315
E-MAIL sk@kelonik.com